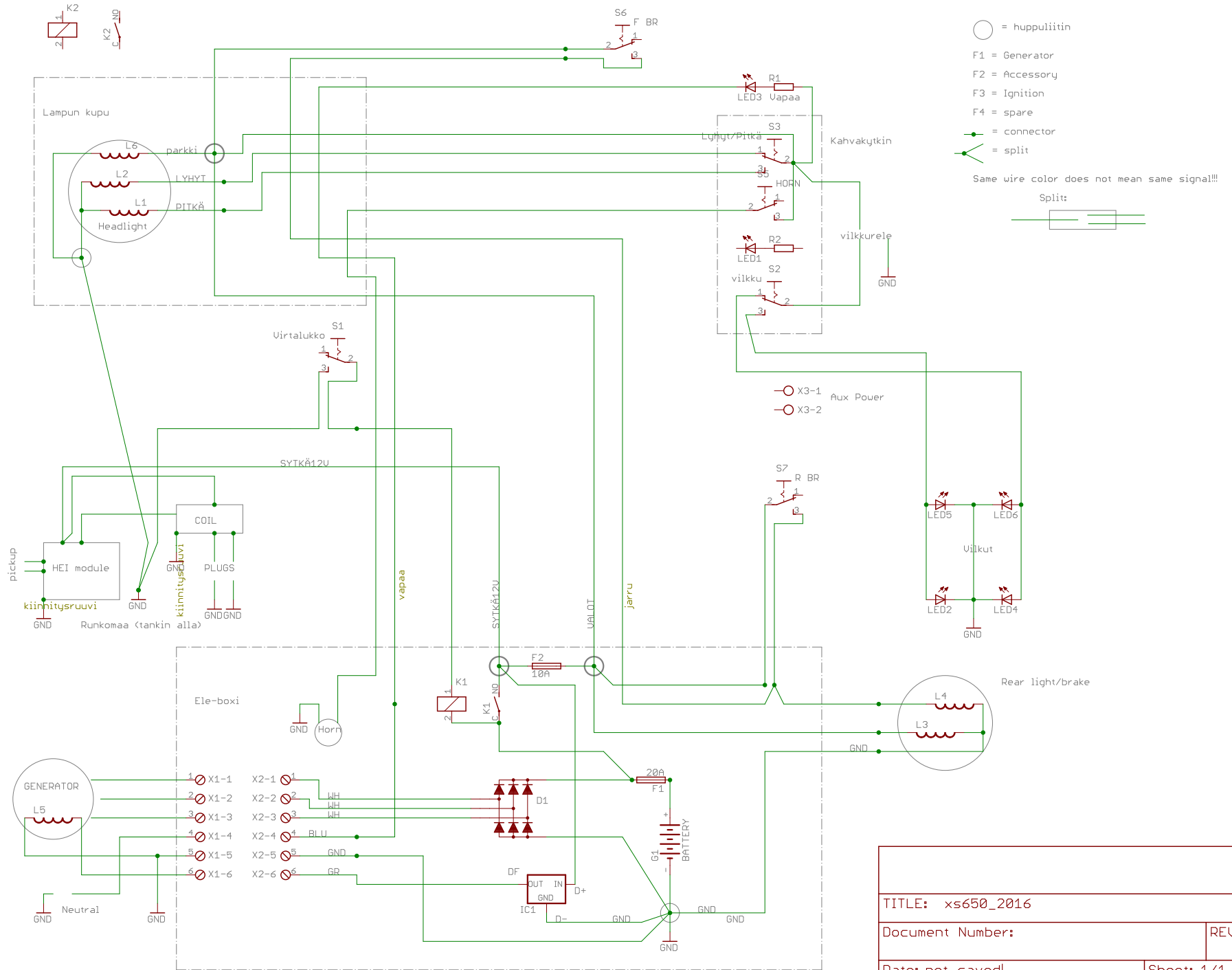


GND  
RED SYTKÄ12U



TITLE: xs650_2016	
Document Number:	REV:
Date: not saved!	Sheet: 1/1